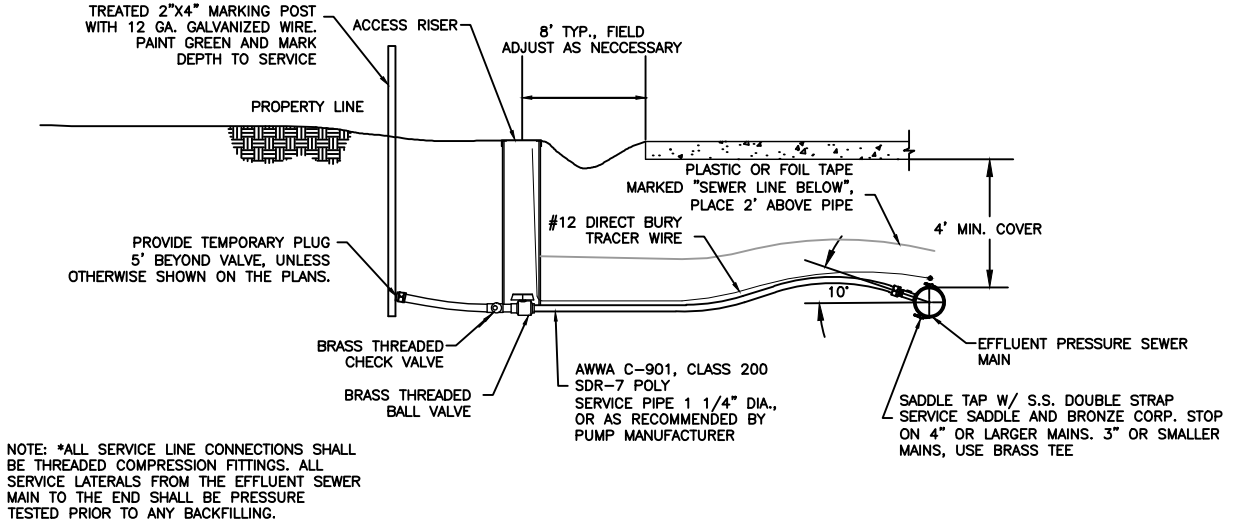
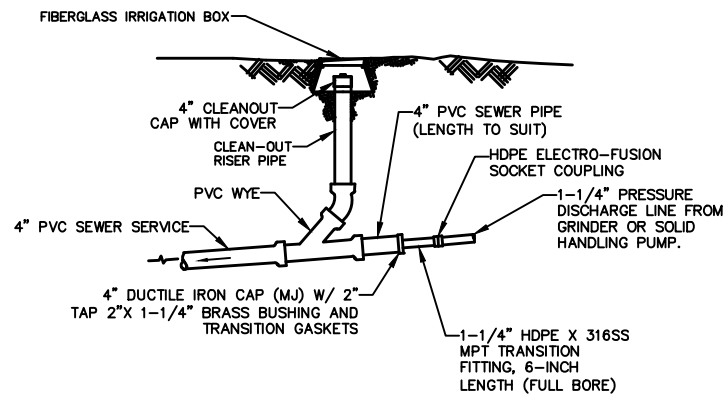


© 2013 T-O ENGINEERS. THIS INSTRUMENT IS THE PROPERTY OF T-O ENGINEERS. ANY REPRODUCTION, REUSE OR MODIFICATION OF THIS INSTRUMENT WITHOUT SPECIFIC WRITTEN PERMISSION OF T-O ENGINEERS IS STRICTLY PROHIBITED.



**PUMP BASIN (GRINDER OR SOLIDS HANLING)
SERVICE CONNECTION TO PRESSURE SEWER**

N.T.S.



**PUMP BASIN (GRINDER OR SOLIDS HANLING)
SERVICE CONNECTION TO GRAVITY SEWER**

N.T.S.

**WATER SYSTEMS MANAGEMENT, INC.
TYPICAL PUMP BASIN SEWER SERVICES**



WEST 280 PRAIRIE AVENUE
COEUR D'ALENE, IDAHO 83815-7710
PHONE: (208) 762-3644 FAX: (208) 762-3708
E-FILE: PUMP BASIN DATE: 10/24/13 JOB: 10023